

THE HEART OF THE CASEY FIRE SYSTEMS NETWORK



Comtrak 2000 Fire Command Center

The Casey Fire Systems Comtrak 2000 Fire Command Center (FCC) has been designed specifically to meet the demanding criteria of national code-specifying agencies, such as UL, NFPA, NYC Fire Dept., BOCA, and HUD, as well as other stringent new fire regulations of major municipalities.

The Casey Fire Systems Comtrak 2000 Fire Command Center utilizes a networked configuration with addressability, making it cost effective for buildings of any size. The system is designed to permit customer's specifications and software programs that control energy management, security access, speaker selection and fan control.

The Casey Fire Systems Comtrak 2000 information display assembly may be configured with tricolor LEDs and membrane switches, arranged on a floor basis for speaker and warden station selection, as well as fan and damper control and monitoring.

The system is fully supervised, such that failure of an alarm circuit or initiating device is audibly and visibly displayed by point at the FCC.

In addition, the system incorporates a 640 x 480 8.4" touch screen color LCD. This wide viewing angle, hi-intensity display allows for optimum viewing of display information under various light conditions and angles.

FEATURES

APPROVALS

Meets the criteria of UL 864 Rev 9, NFPA 72, NYC Fire Dept. and other metropolitan areas.

ECONOMICAL

Networked circuitry allows simplified installation in buildings of all sizes.

FLEXIBLE

May be used for fire protection, communications, security and/or fan control systems.

EXPANDABLE

Unique information display system and logic circuitry allow additional points and/or functions to be easily added.

DEPENDABLE

All modules are networked together.

EASY TO OPERATE

Simple membrane switches with a touch screen color LCD for configuration of crisis related control functions.

SUPERVISED

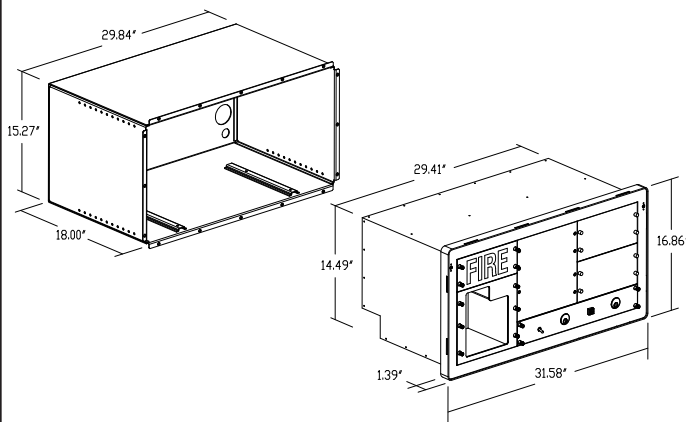
Alarm and control circuitry is continuously monitored, such that an open fault is audibly and visually displayed by point. Each module is independently monitored and networked to each of the other modules.

CASEY FIRE SYSTEMS, INC.

39-27 59th Street
Woodside, NY 11377
718.899.6100 TEL
718.899.1932 FAX



Engineering Specifications



GCP-70B GRAPHIC CONTROL PANEL MODULE

The GCP-70B Graphic Control Panel Module incorporates a 640 x 480 8.4" touch screen Color LCD. This wide viewing angle, hi-intensity display allows for optimum viewing of display information under various light conditions and angles.

DCM-41B,-46B DISPLAY/CONTROL MODULE

The DCM-41B,-46B Display/Control Module contains 40 tricolor LEDs and 40 membrane switches with audio feedback to confirm when a switch is pushed. Each tricolor LED is software programmable to indicate a device status. The LED's associated membrane switch is also software programmable to control the device as required.

TP-40B THERMAL PRINTER MODULE

The TP-40B Thermal Printer Module is thermal printer that prints all system events. It is designed to operate whether the system is powered by AC or battery backup. Alarms are printed in reverse text (white text with black background) and all other system events are printed in black. The Thermal Printer Module has a paper advance switch and an out-of-paper sensor.

FS-2B FIRE SIGN MODULE

The FS-2B Fire Sign Module is a back lit sign with the word "FIRE" in three inch high letters. The Fire Sign Module is software programmable to flash the word "FIRE" in red when an alarm is received.

BFM-1B,-2B,-3B BLANK FILLER MODULE

The BFM-1B, -2B, -3B Blank Filler Modules are blank plate modules used to cover unused panel spaces in the FCC.

OCP-600 OUTPUT CONNECTOR PANEL

The OCP-600 Output Connector Panel provides the necessary terminals for the contractor to make his terminations. This eliminates the need for the removal of wires when changing modules.

NY-800B NEW YORK CITY MODULE

The NY-800B New York City Module contains the necessary switches required by the NYC Fire Department when the system is installed in New York City. There are three key switches and one toggle switch. The three key switches are used for FCC lockout, fan purge enable and fan reset. The toggle switch with a protective cover (to avoid accidental tripping) is used to manually initiate the central office connection.

MAC-202-8B MULTI-AUDIO CONTROL MODULE

The MAC-202-8B Multi-Audio Control Module provides two-way firefighter phone communications and paging by microphone or remote firefighter phones. It contains an LED to indicate when the pre-alert tone is active and Ready To Page.

SIB-4 SERIAL INTERFACE BOARD

The SIB-4 Serial Interface Board is used to communicate with an external printers. This printed circuit board can be mounted behind any BFM module.

It is our intention to keep the product information up to date and accurate. We cannot cover all specific applications or anticipate all requirements. All specifications are subject to change without notice.

CASEY FIRE SYSTEMS, INC.

39-27 59th Street
Woodside, NY 11377
718.899.6100 TEL
718.899.1932 FAX

