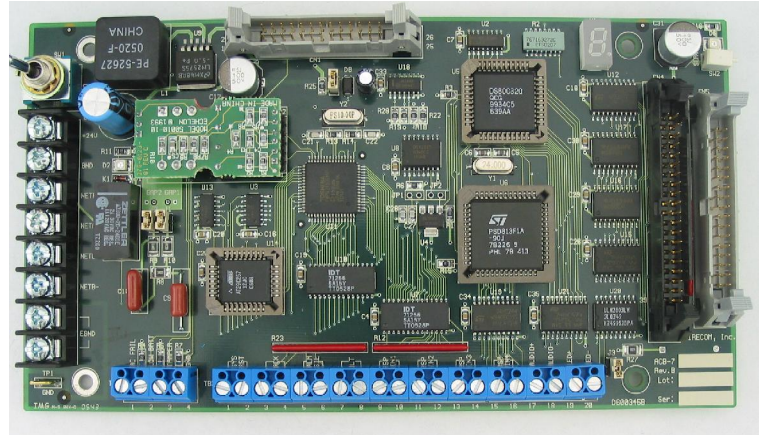


Features

- ▶ Distributed Intelligence
- ▶ Microprocessor Controlled
- ▶ Controls 128 Annunciator Outputs
- ▶ Communicates with eight AIB-716, AOB-716 or ARB-716
- ▶ Seven Segment Diagnostic LED
- ▶ Echelon® LonTalk® Communications



Description

The ACB-728 Annunciator Control Board is capable of controlling 128 inputs on the AIB-716 Annunciator Input Board and/or 128 outputs on the AOB-716 Annunciator Output Board & ARB-716 Annunciator Relay Board. The AIB-716 provides 16 inputs while the AOB-716 provides 16 Open Collector outputs and the ARB-716 provides 16 Form 'C' Dry Contact outputs. The ACB-728 has inputs for SYSTEM RESET, ALARM/TROUBLE ACKNOWLEDGE, ALARM SILENCE, LAMP TEST and four user defined SPARE INPUTS. All inputs require normally open switches. Two outputs are also supplied by the Annunciator Control Board for an Alarm LED and Piezo. A seven segment diagnostic LED is used for troubleshooting.

Application

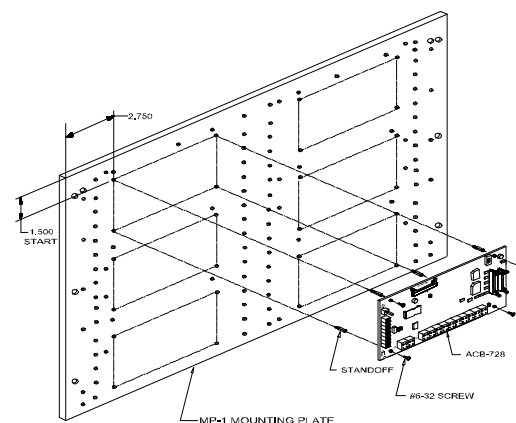
The ACB-728 Annunciator Control Board is used to control the AIB-716, AOB-716 and ARB-716 annunciator daughter boards. The ACB-728 contains the distributed I/O database for the boards. The ACB-728 along with the AOB-716 & ARB-716 can be used to display the status of devices within the LSN 2000 system.

Installation

The ACB-728 Annunciator Control Board mounts to the MP-1 Mounting Plate.

Approvals and Listings

Underwriters Laboratories (File No. S2184)
NYC MEA (MEA No. 32-95-E)

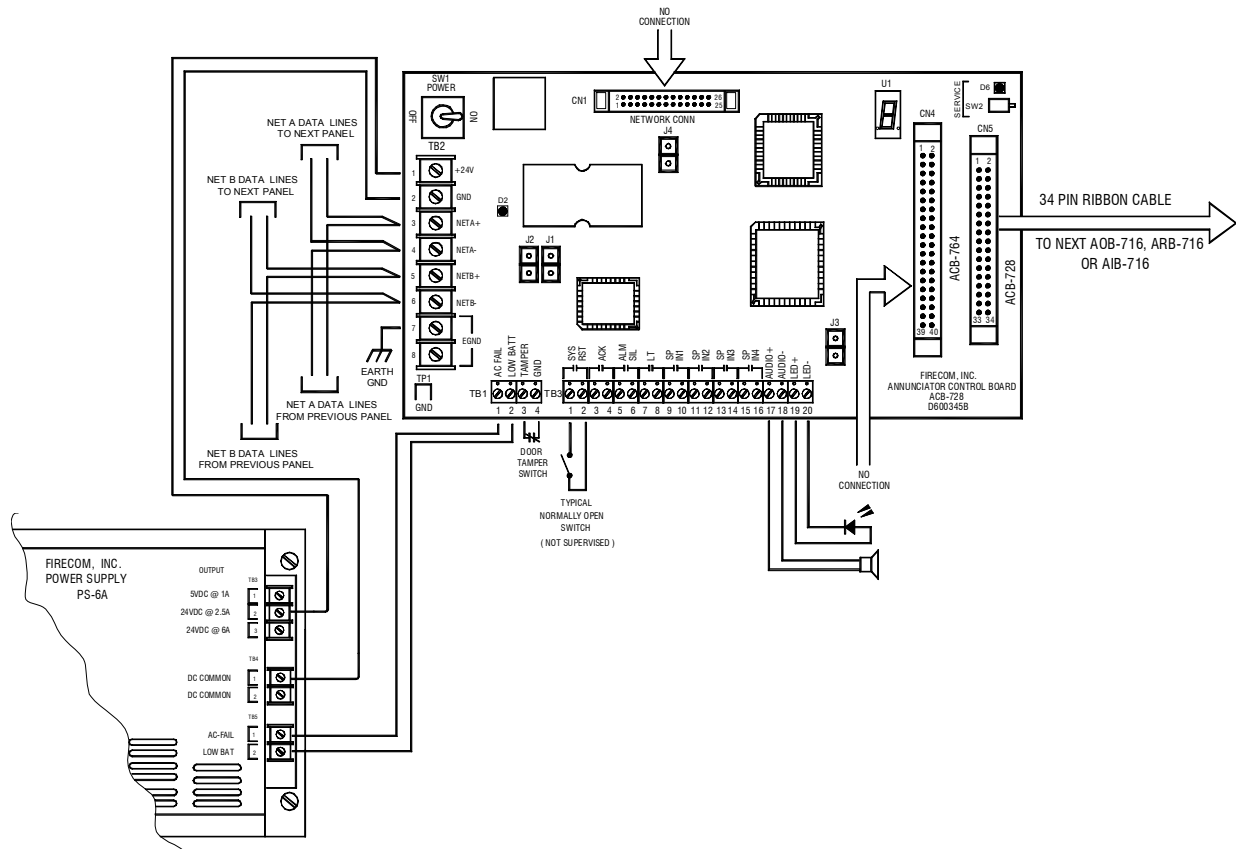


DIMENSIONS - IN.

Engineering Specifications

The ACB-728 Annunciator Control Board shall be capable of controlling 128 annunciator inputs and/or outputs. These inputs shall be located on the AIB-716 Annunciator Input Board and the outputs shall be located on the AOB-716 Annunciator Output Board or the ARB-716 Annunciator Relay Board. The ACB-728 shall contain inputs for SYSTEM RESET, ACKNOWLEDGE, ALARM SILENCE, LAMP TEST, four SPARE INPUTS and two outputs for an ALARM LED & AUDIO PIEZO. Up to eight AIB-716, ARB-716 and/or AOB-716 annunciator daughter boards connect to the ACB-728.

Wiring Connection



Electrical Specifications

Operating Voltage	24VDC
Operating Current	53mA
Operating Temperature	0°C to 49°C
Operating Relative Humidity Range	0% to 93% @ 32° C
External LED	24VDC @ 20mA
External Audio Piezo	24VDC @ 20mA

Ordering Information

Model No.	Part No.	Description
ACB-728	72150	Annunciator Control Board

It is our intention to keep the product information up to date and accurate. We cannot cover all specific applications or anticipate all requirements. All specifications are subject to change without notice. For more information contact: FIRECOM, INC.

FIRECOM™, INC.
 39-27 59th Street
 Woodside, NY 11377
 718.899.6100 TEL
 718.899.1932 FAX



FIRECOMINC.COM

71922
 Rev 051201
 2 of 2