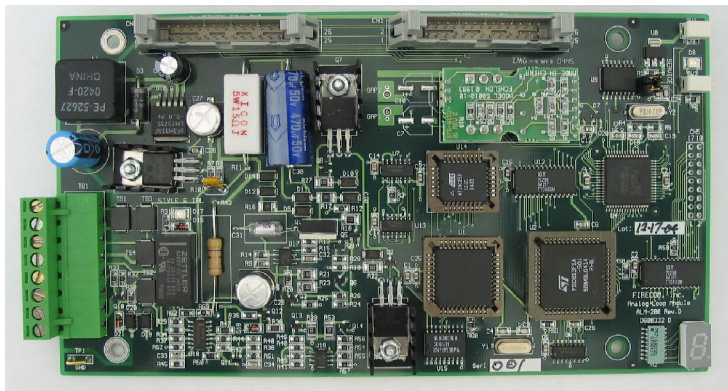


Features

- ▶ Microprocessor Controlled
- ▶ 126 Analog Addressable Devices
- ▶ Style 4 or Style 6 Signaling Line
- ▶ Smoke Detector Alarm Verification
- ▶ 4 Levels of Sensitivity
- ▶ Echelon® LonTalk® Communications
- ▶ Seven Segment Diagnostic LED
- ▶ Low Power Consumption
- ▶ 1/2 Module Footprint
- ▶ All Wiring Power Limited



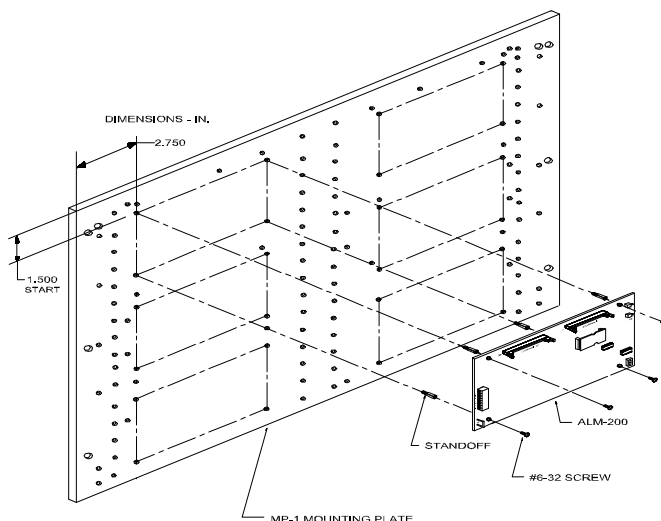
Description

The ALM-200 Analog Loop Module is a single loop module communicating with up to 126 analog addressable devices. The ALM-200 communicates to smoke detectors and modules over twisted pair wires. Programming allows for Style 4 or Style 6 Signal Line wiring. Any combination of detectors or modules can be mixed on the loop. Each detector is independently configured to incorporate an alarm verification feature. This feature reduces the number of “unwanted alarms”. The program also allows each detector to have different sensitivity settings based on events such as the Time of Day or Day of Week. Manual override of sensitivity settings to any of the four levels is also provided. The ALM-200 Analog Loop Module occupies one node address in the LSN 2000 system and communicates over the riser network wires to the Fire Command Center (FCC).

The ALM-200 polls the analog addressable devices and reports their Alarm, Trouble or Normal status to the other nodes in the system. The ALM-200 can also detect dirty detectors and reports them as a Trouble Maintenance status.

Installation

The ALM-200 Analog Loop Module occupies 1/2 module footprint and mounts to the MP-1 Mounting Plate. The ALM-200 can also be mounted behind the BFM-1, BFM-2 or BFM-3 Blank Filler Modules.



Approvals and Listings

Underwriters Laboratories (File No. S2184)
 NYC MEA (MEA No. 32-95-E)



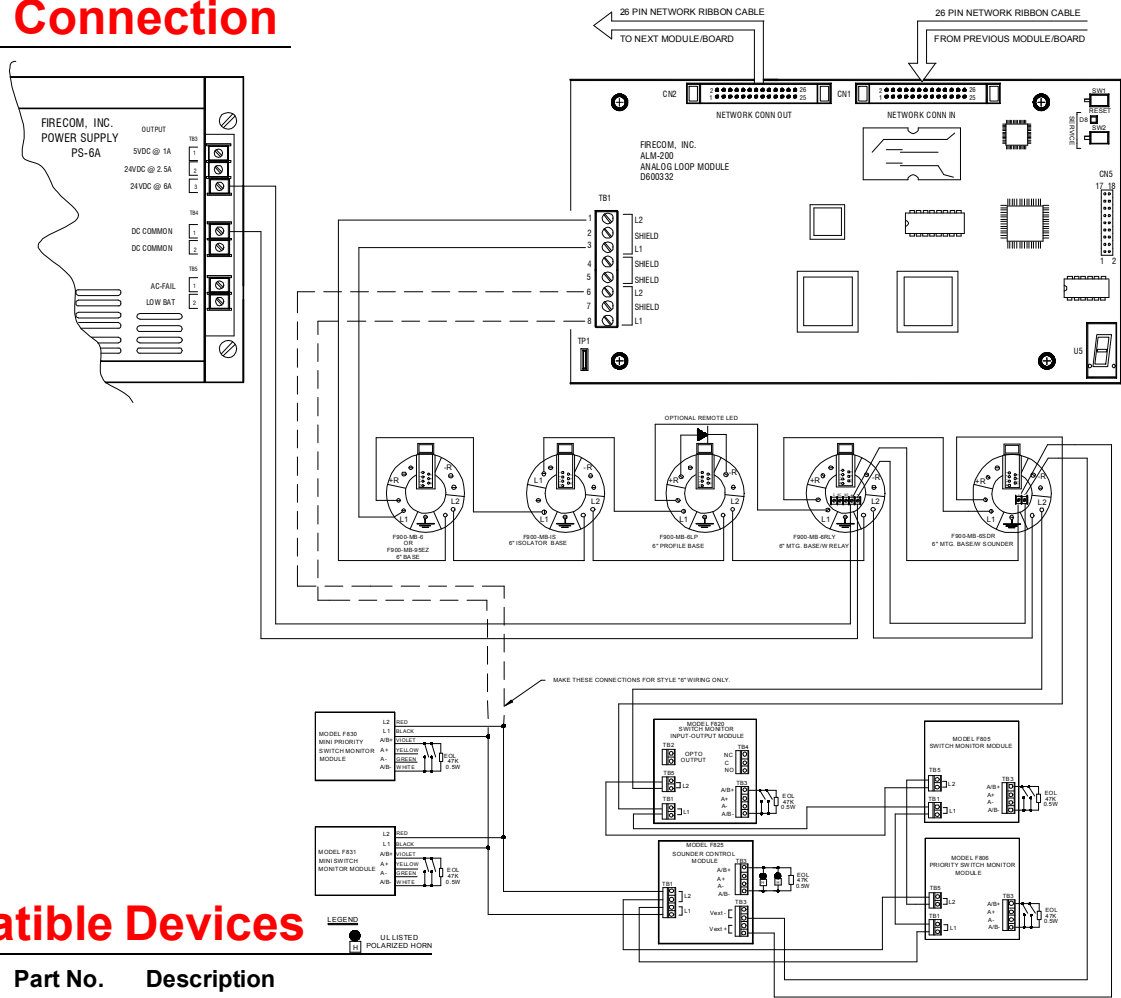
Application

The ALM-200 Analog Loop Module is used to communicate to the Analog Addressable Smoke Detectors and Modules. The ALM-200 mounts in the FCC or remote ITC 2000 enclosure. When mounted in a remote enclosure an ALM-101 Analog Loop Adapter Board or NET-2 Network Adapter Board is required.

Engineering Specifications

The ALM-200 Analog Loop Module shall be capable of communicating to compatible Firecom Analog Addressable Devices (see Compatible Devices). The ALM-200 shall be a one loop controller polling up to 126 detectors and/or modules. Any combination of devices shall be allowed on the loop.

Wiring Connection



Compatible Devices

Model No.	Part No.	Description
F900-450	75004	Heat Detector
F900-550	75003	Ion Detector
F900-650	75002	Photoelectric Detector
F900-886	75059	Multi-Sensor Detector
F900-AA-P	75010	Photo Duct Detector
F900-AA-N	75041	Ion Duct Detector
F900-AR-P	75010	Photo Duct Detector w/Relay
F900-AR-N	75041	Ion Duct Detector w/Relay
F900-750	75000	Isolator
F900-790	72044	Dual Input Monitor Module
F900-805	70499	Switch Monitor Module
F900-806	70500	Priority Switch Monitor Module
F900-820	70501	Switch Monitor I/O Module
F900-825	70502	Sounder Control Module

Model No.	Part No.	Description
F900-830	70497	Mini-Priority Switch Module
F900-831	70498	Mini-Switch Monitor Module
F900-920	71743	Dual Input-Output Module
F900-930	71744	Dual Input Monitor Module
F900-940	75200	Addressable Manual Station
F900-941	75199	Addressable Manual Station
F900-942	75201	Addressable Manual Station
F900-943	72030	Addressable Manual Station
MIO-8	70708	Multiple-Input Output Board

Electrical Specifications

Operating Voltage	24VDC
Operating Current	157mA
Maximum Capacitance	0.8 Microfarads
Maximum Loop Resistance	25 Ohms
Operating Temperature	0°C to 49°C
Operating Relative Humidity Range	0% to 85% @ 30°C

Ordering Information

Model No.	Part No.	Description
ALM-200	71406	Analog Loop Module

It is our intention to keep the product information up to date and accurate. We cannot cover all specific applications or anticipate all requirements. All specifications are subject to change without notice. For more information contact: FIRECOM, INC.

FIRECOM™, INC.
39-27 59th Street
Woodside, NY 11377
718.899.6100 TEL
718.899.1932 FAX



FIRECOMINC.COM

71325
Rev 060401
2 of 2