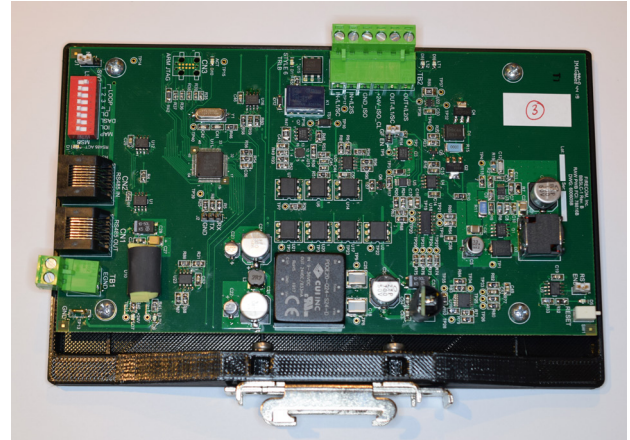


Features

- ▶ Microprocessor Controlled
- ▶ Supervises 125 Supervised Life Safety Antennas
- ▶ Monitors all Passive Coaxial Interconnect Devices for Integrity
- ▶ Power Limited Wiring
- ▶ Diagnostic LEDs
- ▶ Convenient DIN-Rail Mounting



Description

The BBAS-1 Antenna Monitor is an option card to the BBCPU-1 Central Processing Unit of a BDA Buddy Monitoring Cabinet. The BBAS-1 provides a Signaling Line Circuit that is electrically combined with the radio frequency signals delivered to each antenna in a building's Distributed Antenna System. Up to 125 Supervised Life Safety Antennas can be monitored by a single BBAS-1. The SLC communication signal passes through all coaxial wiring and signal splitting equipment and thus also monitors all passive equipment for integrity. Antenna supervision status is reported to the BBCPU-1 and is displayed on the BBGUI-1 Graphical User Interface. This allows location information pertaining to antennas that have failed to be presented to Firefighter personnel so that they can assess locations in the building that could be lacking appropriate RF coverage, possibly inhibiting communication capabilities of wireless radio devices.

Application

The BBAS-1 Antenna Supervision Module creates a signaling line circuit that is combined with radio frequency information on an in-building distributed antenna system's coaxial wiring. The BBAS-1 communicates with the Supervised Life Safety Antennas that make up the DAS within a building via the passive coaxial radio distribution equipment and wiring.

Approvals and Listings

Underwriters Laboratories (File No. PENDING)



Engineering Specifications

The BBAS-1 is required to be installed within a NEMA-4/UL50E enclosure as an option card to the BBCPU-1. Communication between the BBAS-1 and the BBCPU-1 shall occur upon a direct or “daisy=chained” link of short CAT-6 cable with RJ-45 connections on each end. The communication link between the BBAS-1 and the BBCPU-1 shall be supervised for integrity.

Up to 125 Supervised Life Safety Antennas may be configured to be supervised by the BBAS-1 Antenna Supervision Module.

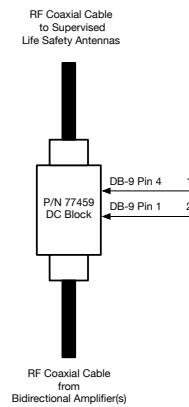
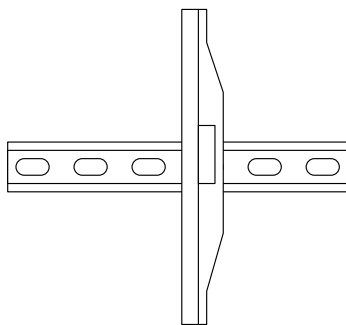
The signaling between the BBAS-1 and the Supervised Life Safety Antennas must pass properly through the passive coaxial radio distribution wiring and splitting devices. A fault in any of the intermediary devices or pathways shall result in one or more antenna communication troubles to be detected.

Trouble conditions shall be reported to the BBCPU-1 and displayed upon the BBGUI-1 Graphical User Interface.

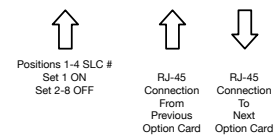
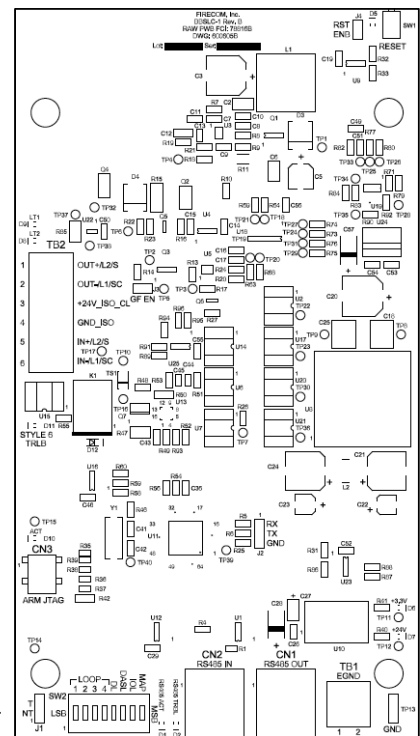
Installation

The BBAS-1 clips on to a standard DIN mounting rail, installed within a NEMA-4/UL-50E enclosure. The BBAS-1 connects to the BBCPU-1 and other option cards using short CAT-6 cables with RJ-45 connectors on each end.

The SLC connections of the BBAS-1 shall be wired to a Firecom 77459 RF DC Block/Injector, which must be wired in series with the in-building DAS coaxial wiring.



RJ-45 Wiring Termination



Electrical Specifications

Operating Voltage	24V
Operating Current	80mA
Antenna SLC Max Current	250mA
Antenna SLC Max Capacitance	1uF
Antenna SLC Max Resistance	25 Ohms
Operating Temperature	0°C to 49°C
Operating Relative Humidity Range	0% to 93% @ 32°C

Ordering Information

Model No.	Part No.	Description
BBAS-1	79187	Antenna Supervision Module

It is our intention to keep the product information up to date and accurate. We cannot cover all specific applications or anticipate all requirements. All specifications are subject to change without notice. For more information contact: FIRECOM, INC.

FIRECOM™, INC.

3927 59th Street
Woodside, NY 11377
718.899.6100 TEL
718.899.1932 FAX



WWW.FIRECOMINC.COM

78819
Rev 20201105
Pg 2 of 2