

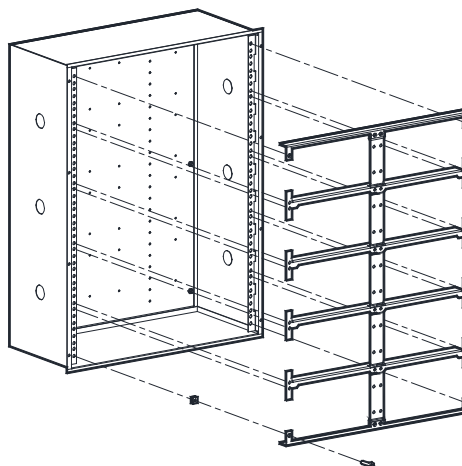
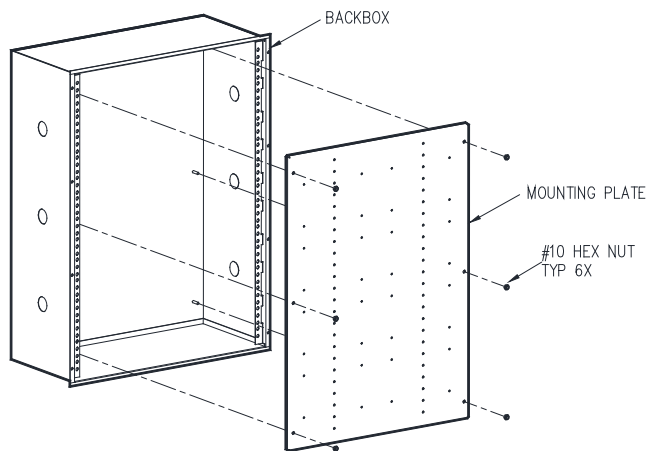
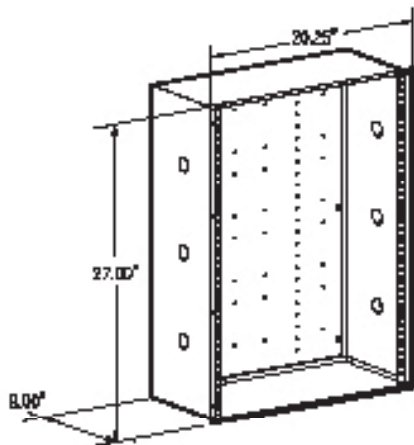


Features

- ▶ Desk Mount Enclosure
- ▶ Conduits Knock outs on Enclosure Sides
- ▶ Heavy Duty 16 Gage Steel
- ▶ 1 CAB-27 Mounting Plate Footprint

Description

The CAB-27 Fire Command Center (FCC) Desk Mount Enclosure is a 16 gage steel equipment enclosure used to mount FCC modules. The enclosure is designed for use with all LSN 2000 Fire Command Center modules, such as the Control Panel, Display Control Modules, Printer Module, Power Supplies and Output Connector Panel. In the rear of the enclosure, mounting studs exist for the installation of a CAB-27 Mounting Plate. This mounting plate is used for mounting FCC electronic components. The Mounting Plate allows the electrical contractor to pull conduit connections and field wiring inside the CAB-27 enclosure before electronic equipment is installed. Conduit knock outs are provided on either side of the enclosure. When installing the CAB-27 enclosure, the physical size and weight along with the local mounting codes must be considered.

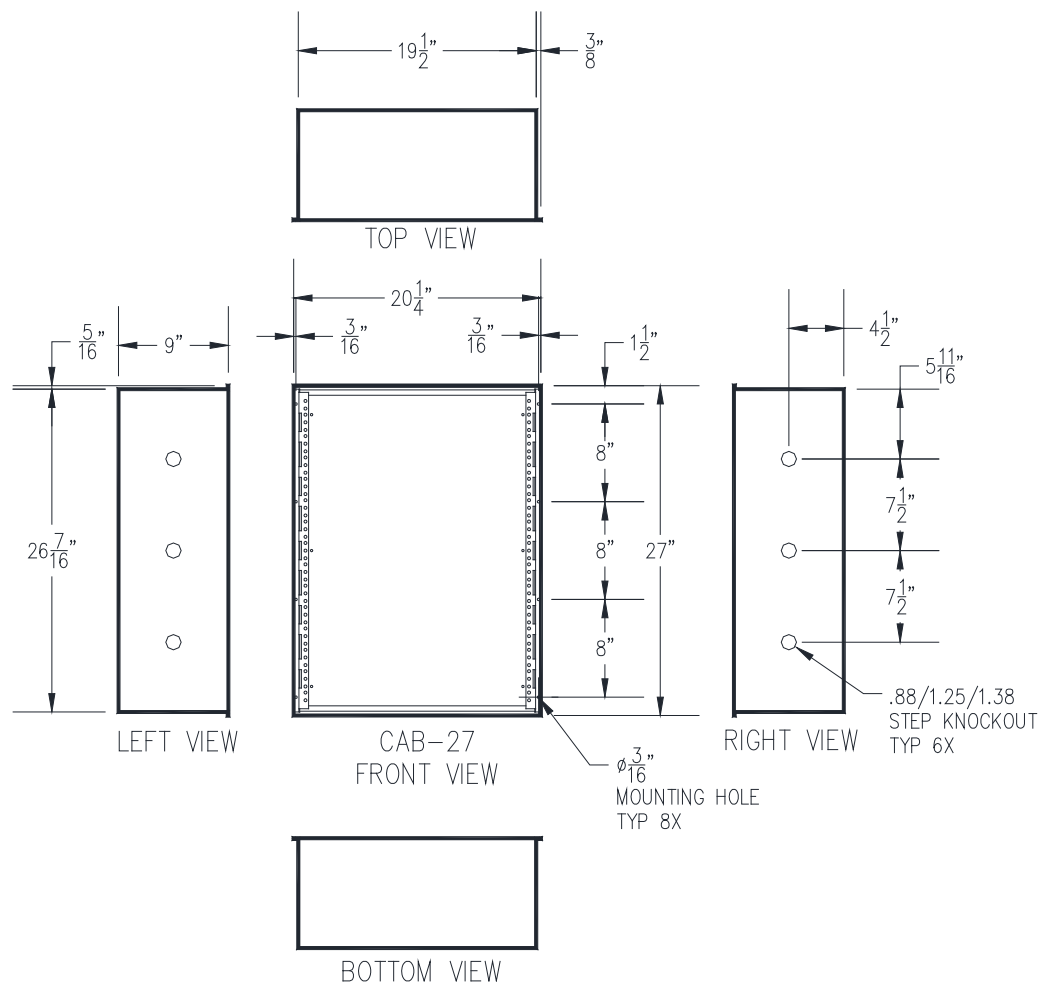


Engineering Specifications

The CAB-27 Desk Mount Enclosure shall be UL Listed for mounting LSN 2000 electronic components. The CAB-27 shall contain mounting studs for a CAB-27 Mounting Plate. This feature will allow electronic components to be assembled, pre-wired and tested on the Mounting Plate before installation in the enclosure. The CAB-27 shall be made of 16 gage heavy duty steel painted black. Conduit knock outs shall be provided on either side of the enclosure.

Application

The CAB-27 Desk Mount Enclosure is used to mount Fire Command Center modules and the CAB-27 Mounting Plate with electronic components. The enclosure is specifically designed with mounting studs to facilitate mounting the back box without electronic components installed. Electronic components can be assembled on the Mounting Plate and installed in the enclosure after it has been mounted.



**CAB-27
Enclosure
Weight**
40lbs.

Ordering Information

Model No.	Part No.	Description
CAB-27	73709	Enclosure (includes Backbox, Mounting Plate & Horizontal Straps)
Vertical Strap	73706	CAB-27 Vertical Strap Assembly (Max 2 as required)
VS-1	70212	Vertical Strap Assembly (Max 3 as required)

It is our intention to keep the product information up to date and accurate. We cannot cover all specific applications or anticipate all requirements. All specifications are subject to change without notice. For more information contact: FIRECOM, INC.

FIRECOM™, INC.
39-27 59th Street
Woodside, NY 11377
718.899.6100 TEL
718.899.1932 FAX



FIRECOMINC.COM

73708
Rev 150301
2 of 2