

Features

- ▶ Wall mount Multi-Candela models are available with Field Selectable Candela Settings of 15/30/75/110cd or 135/185cd. Single Candela models are available in 1575cd
- ▶ Ceiling mount Multi-Candela models are available with field selectable candela settings of 15/30/75/95cd or 115/177cd. (Square)
- ▶ Strobes produce 1 flash per second over the regulated voltage range
- ▶ 12 and 24 VDC models with wide UL "Regulated Voltage" using filtered (DC) or unfiltered VRMS input voltage
- ▶ Synchronize using the Firecom sync modules or Firecom modules with built-in Sync Protocol
- ▶ Fast installation with IN/OUT screw terminals using #12 to #18 AWG wire



Series FRSS



Series FRSS



Series FRSSWP



MEA CITY OF NEW YORK

Description

The Firecom Series FRSS Strobe Appliances and Series FRSSP Strobe Plates have lower current draw while maintaining outstanding performance, reliability and cost effectiveness. These versatile appliances will satisfy virtually all requirements for indoor, wall or ceiling mount applications.

Strobe options for wall mount models include 1575 or the Firecom MCW multi-candela strobe with field selectable candela settings of 15/30/75/110cd or the high intensity MCWH strobe with field selectable 135/185cd. Ceiling mount models include the MCC multi-candela ceiling strobe with field selectable intensities of 15/30/75/95cd or the high intensity MCCH strobe with field selectable 115/177cd.

All models may be synchronized using the Firecom FDSM Sync Modules or other Firecom modules incorporating the sync protocol. Synchronized strobes can eliminate possible restrictions on the number of strobes in the field of view. Firecom's synchronized strobes offer an easy way to comply with ADA recommendations concerning photosensitive epilepsy as well as meeting the requirements of NFPA 72.

The Firecom Series FRSS Strobes employ a Integral Strobe Mounting Plate that can be mounted to a single gang, double gang, 4" square, 100mm European backbox or the SHBB surface backbox. If the flush backbox has side or top space between it and the finished wall, the NATP (Notification Appliance Trimplate) may be used. It provides an additional .65" of trim for the Appliance. An attractive cover plate is provided for a clean, finished appearance on all models.

The Series FRSSP Multi-Candela Strobe Plates are a cost effective way to retrofit required wall strobe appliances to bells, horns, chimes, multitones or speakers and easily mounts to standard 4" backboxes or for surface mount use with the SBL2 surface backbox.

NOTE: All CAUTIONS and WARNINGS are identified by the symbol ▲. All warnings are printed in bold capital letters.

▲ WARNING: PLEASE READ THESE SPECIFICATIONS AND ASSOCIATED INSTALLATION INSTRUCTIONS CAREFULLY BEFORE USING, SPECIFYING OR APPLYING THIS PRODUCT. VISIT WWW.FIRECOMINC.COM OR CONTACT FIRECOM FOR THE CURRENT INSTALLATION INSTRUCTIONS. FAILURE TO COMPLY WITH ANY OF THESE INSTRUCTIONS, CAUTIONS OR WARNINGS COULD RESULT IN IMPROPER APPLICATION, INSTALLATION AND/OR OPERATION OF THESE PRODUCTS IN AN EMERGENCY SITUATION, WHICH COULD RESULT IN PROPERTY DAMAGE, AND SERIOUS INJURY OR DEATH TO YOU AND/OR OTHERS.

General Notes:

- Strobes are designed to flash at 1 flash per second minimum over their “Regulated Voltage Range”. Note that NFPA-72 specifies a flash rate of 1 to 2 flashes per second and ADA Guidelines specify a flash rate of 1 to 3 flashes per second.
- All candela ratings represent minimum effective Strobe intensity based on UL Standard 1971.
- “Regulated Voltage Range” is the newest terminology used by UL to identify the voltage range. Prior to this change UL used the terminology “Listed Voltage Range”.

Table 1: Average RMS Current*

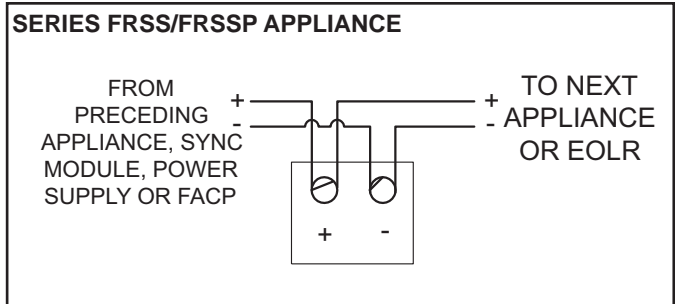
FRSS/ FRSSP 24VDC Models	FRSS/FRSSP - Wall Mount							Ceiling Mount					
	241575W	24MCW				24MCWH		24MCC				24MCCH	
	1575cd	15cd	30cd	75cd	110cd	135cd	185cd	15cd	30cd	75cd	95cd	115cd	177cd
UL max*	0.090	0.060	0.092	0.165	0.220	0.300	0.420	0.065	0.105	0.189	0.249	0.300	0.420

* RMS current ratings are per UL average RMS method. UL max current rating is the maximum RMS current within the listed voltage range (16-33v for 24v units). For strobes the UL max current is usually at the minimum listed voltage (16v for 24v units). For audibles the max current is usually at the maximum listed voltage (33v for 24v units). For unfiltered FWR ratings, see installation instructions.

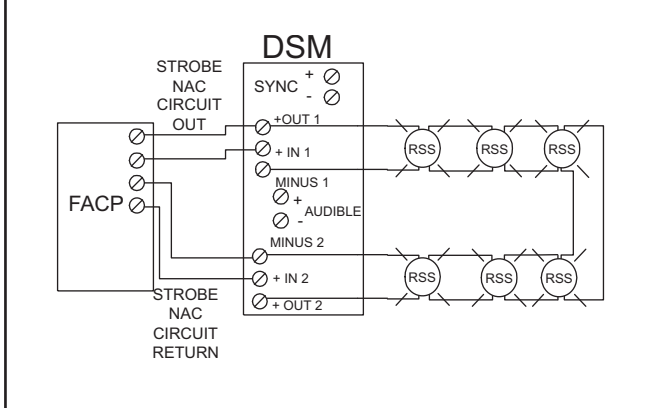
Table 2: Audibles/Speakers for FRSSP Strobe Plate

Product	Series
Multitone Appliances	AMT, MT
Horns	AH, NH, HS
Motor Bells	MB-G6/G10
Speakers	ET-1010/1080, FE70, FET70
Chimes	CH70

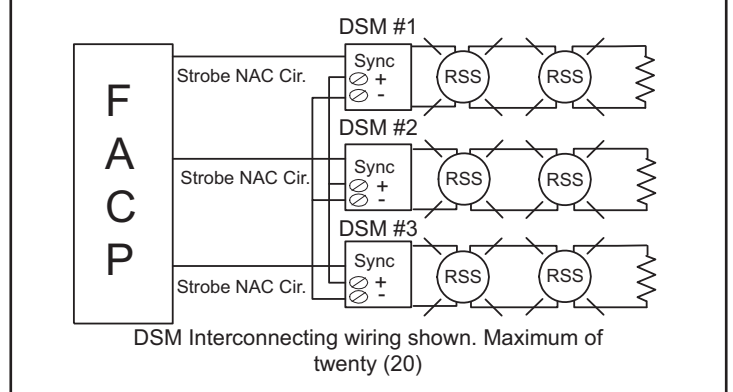
Wiring Diagrams



SERIES FRSS/FRSSP APPLIANCES SYNCHRONIZED WITH FDSM MODULE SINGLE CLASS “A” NAC CIRCUIT

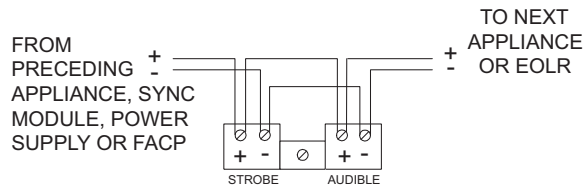


SERIES FRSS/FRSSP APPLIANCES SYNCHRONIZED WITH MULTIPLE FDSM MODULES



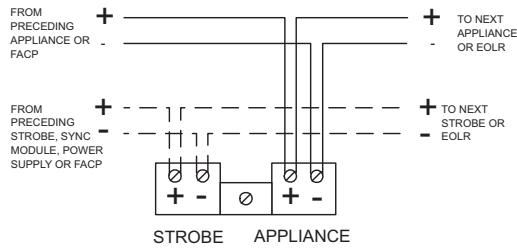
STROBE/PLATE ASSEMBLY

AUDIBLE & VISIBLE APPLIANCE OPERATE IN UNISON

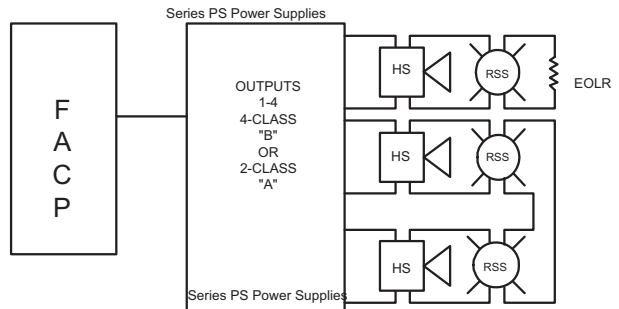


STROBE/PLATE ASSEMBLY

AUDIBLE & VISIBLE APPLIANCE OPERATE INDEPENDENTLY



SERIES FRSS/FRSSP APPLIANCES SYNCHRONIZED WITH PS-8 POWER SUPPLIES



Specifications and Ordering Information

Model	Part No.	Wall Mount	Ceiling Mount	Non-Sync	Strobe Candela	24 VDC	Color RED	Color WHITE	Square or Round	Agency Approvals				
										UL	MEA	CSFM	FM	BFP
FRSS-241575W-FR	74115	X	-	X	15 (75 on Axis)	X	X	-	Square	X	X	X	X	X
FRSS-241575W-FW	16212	X	-	X	15 (75 on Axis)	X	-	X	Square	X	X	X	X	X
FRSS-24MCW-FR	75441	X	-	X	15/30/75/110	X	X	-	Square	X	X	X	X	X
FRSS-24MCW-FW	75451	X	-	X	15/30/75/110	X	-	X	Square	X	X	X	X	X
FRSS-24MCWH-FR	76380	X		X	135/185	X	X		Square	X	X	X	X	-
FRSS-24MCWH-FW	76381	X		X	135/185	X		X	Square	X	X	X	X	-
FRSS-24MCC-FR	74974	-	X	X	15/30/75/95	X	X	-	Square	X	X	X	X	-
FRSS-24MCC-FW	75750	-	X	X	15/30/75/95	X	-	X	Square	X	X	X	X	-
FRSS-24MCCH-FR	75257	-	X	X	115/177	X	X	-	Square	X	X	X	X	-
FRSS-24MCCH-FW	16213	-	X	X	115/177	X	-	X	Square	X	X	X	X	-
FRSSP-24MCW-FR	75445	X	-	X	15/30/75/110	X	X	-	Square	X	X	X	X	X
FRSSP-24MCW-FW	77068	X	-	X	15/30/75/110	X	-	X	Square	X	X	X	X	X
FRSSWP-2475W-FR	75419	X	-	X	180@ 77°F 75@ -31°F	X	X	-	Square	X	X	X	X	-
FRSSWP-2475W-FW	*	X	-	X	180@ 77°F 75@ -31°F	X	-	X	Square	X	X	X	X	-
FRSSP-241575W-FR	*	X	-	X	15 (75 on Axis)	-	X	-	Square	X	X	X	X	X
FRSSP-24MCWH-FR	*	X		X	135/185	X	X		Square	X	X	X	-	-

All models sync with FDSM Sync Modules.
 Models are available in either Red or White.
 * Call customer service for part number and delivery.

Engineering Specifications

The visual notification appliances shall be Firecom Series FRSS Strobe Appliances or approved equals. The Series FRSS shall meet and be listed for UL Standard 1971 (Emergency Devices for the Hearing-Impaired) for Indoor Fire Protection Service. The strobe shall be listed for indoor use and shall meet the requirements of FCC Part 15 Class B. The strobe appliances shall produce a flash rate of one (1) flash per second over the Regulated Voltage Range and shall incorporate a Xenon flashtube enclosed in a rugged Lexan® lens. All inputs shall be compatible with standard reverse polarity supervision of circuit wiring by a Fire Alarm Control Panel (FACP). When Strobe Plates are to be installed, they shall be the Firecom Series FRSSP Strobe Plate and shall have the same electronic circuitry as the Firecom Series FRSS.

The Series FRSS Strobe shall be of low current design. Where Multi-Candela appliances are specified, the strobe intensity shall have field selectable settings and shall be rated per UL Standard 1971 at 15/30/75/110cd or 135/185cd for wall mount and 15/30/75/95cd or 115/177cd for ceiling mount. The selector switch for selecting the candela shall be tamper resistant. The 1575 candela strobe shall be specified when 15 candela UL Standard 1971 Listing with 75 candela on axis is required (e.g. ADA compliance).

When synchronization is required, the appliance shall be compatible with Firecom's FDSM Sync Modules or Firecom modules with built-in sync protocol. The strobes shall not drift out of synchronization at any time during operation. If the sync module fails to operate, (i.e., contacts remain closed), the strobe shall revert to a non-synchronized flash rate. The strobes shall be designed for indoor surface of flush mounting.

The Series FRSS Strobe Appliances shall incorporate a Integral Strobe Mounting Plate that shall allow mounting to single-gang, double-gang, 4-inch square, 100mm European type backboxes, or the SHBB Surface Backbox. If required, an NATP (Notification Appliance Trimplate) shall be provided. An attaching cover plate shall be provided to give the Appliance and attractive appearance. The Appliance shall not have any mounting holes or screw heads visible when the installation is completed.

The Series FRSSP Multi-Candela or single candela Strobe Plate shall mount to either a standard 4 inch square backbox for flush mounting, or the SBL2 backbox for surface mounting.

All notification appliances shall be backward compatible.

It is our intention to keep the product information up to date and accurate. We cannot cover all specific applications or anticipate all requirements. All specifications are subject to change without notice. For more information contact: FIRECOM, INC.