

## Features

- ▶ Combines Power Supply 24VDC Outputs
- ▶ On/Off Power Switch
- ▶ 3 Auxiliary 24VDC Power circuits
- ▶ All circuits are Power Limited
- ▶ Up to 4 Power Supply Inputs
- ▶ Space Saving Design

## Description

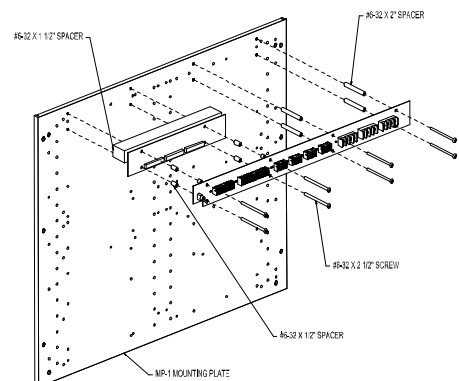
The PDB-3 Power Distribution Board combines the PS-7A Power Supply 24V@2.5A and 24V@7A outputs into a single internal buss. This internal buss is connected to solid state current limiting circuits and distributed to the DAB-7 Motherboard and its associated modules via mass terminated connectors. The PDB-3 is capable of combining PS-7A outputs from up to four power supplies. The Power Distribution Board also contains three terminal blocks for Auxiliary Power circuits rated at 24VDC @ 1.5A. This auxiliary power circuit can be used to power addressable devices or modules that require external 24VDC power. The Auxiliary Power circuit can be wired a Style Y (Class B) or Style Z (Class A). The PDB-3 Power Distribution Board contains an On/OFF Power Switch, a dip switch for enabling and disabling power supply inputs and a technician GND test clip.

## Installation

The PDB-3 mounts to the MP-1 Mounting plate.

## Application

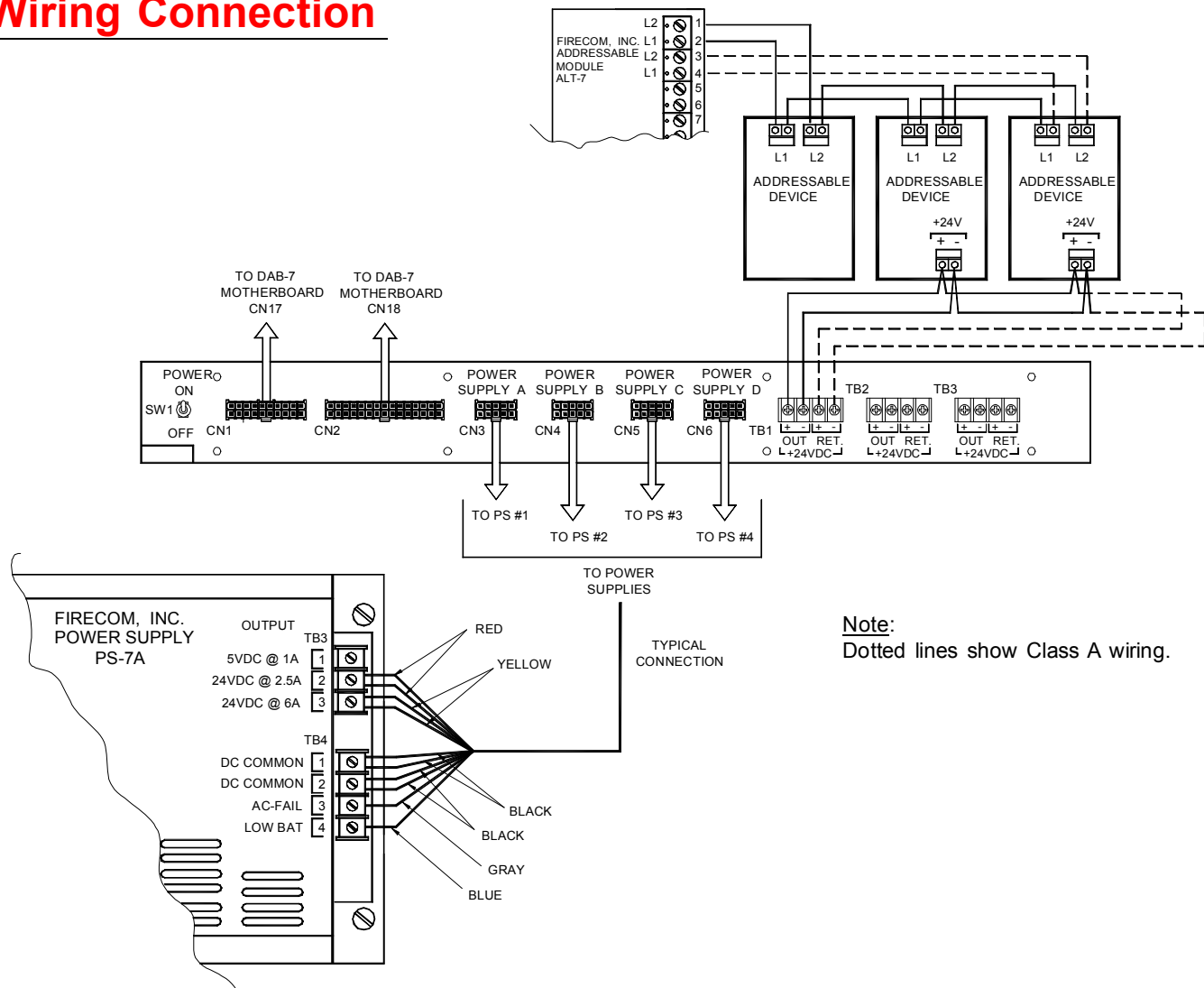
The PDB-3 is used to combine the PS-7A 24VDC outputs and distribute the power via multiple current limited circuits to the DAB-7 Motherboard.



# Engineering Specifications

The PDB-3 Power Distribution Board shall capable of combining up to four PS-7A Power Supply 24VDC 2.5A and 7A outputs into a single internal 24VDC buss. This internal buss shall be connected to multiple solid state current limited circuits for connection to the DAB-7 Motherboard and its installed cards and option slot modules. The PDB-3 shall also contain 3 auxiliary power circuits rated at 24VDC @ 1.5A. Wiring to these auxiliary circuits shall be either Style Y (Class B) or Style Z (Class A). An ON/Off Power Switch, a dip switch for disabling unused inputs and a technician GND test clip shall also be provided.

## Wiring Connection



## Ordering Information

Model No.	Part No.	Description
PDB-3	73281	Power Distribution Board

## Electrical Specifications

Operating Voltage	24VDC
Operating Current	125mA
Operating Temperature	0°C to 49°C
Operating Relative Humidity Range	0% to 93% @ 32°C

It is our intention to keep the product information up to date and accurate. We cannot cover all specific applications or anticipate all requirements. All specifications are subject to change without notice. For more information contact: FIRECOM, INC.

**FIRECOM™, INC.**  
39-27 59th Street  
Woodside, NY 11377  
718.899.6100 TEL  
718.899.1932 FAX



FIRECOMINC.COM

73278  
Rev 081101  
2 of 2