



WS-100-P SF



WS-100-P SWG



WS-100-P SF w/Door Open

Features

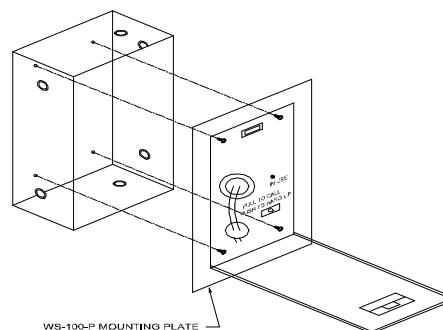
- ▶ "In Use" Red LED
- ▶ High gloss red enamel finish
- ▶ Low Power Consumption
- ▶ White "Pull to Call" switch
- ▶ Break Glass Version
- ▶ Armored Cable supplied in all versions

Description

The WS-100-P Series Firefighter's Telephone Stations are designed for use with the Firecom Life Safety Communication Systems. The Firefighter's Telephone is used to establish emergency verbal communication between a Firefighter's Telephone and the Fire Command Center (FCC). When electronically authorized by the FCC, the WS-100-P Firefighter's Telephone Station can also be connected to the floor public address system for emergency announcements. A "Pull to Call" switch and an "IN USE" LED talk indicator that lights when communication is established is incorporated. All models houses a red telephone handset with a stainless steel armored cable. Surface and flush options are available in both the magnetic pull down and break glass version.

Installation

The surface or flush mount installation uses a red Firecom Firefighter's Backbox (P/N 72008). The backbox has 2 predrilled mounting holes of 0.187 inch diameter. A screw of size 8 or smaller can be used to attach the backbox to a wall.

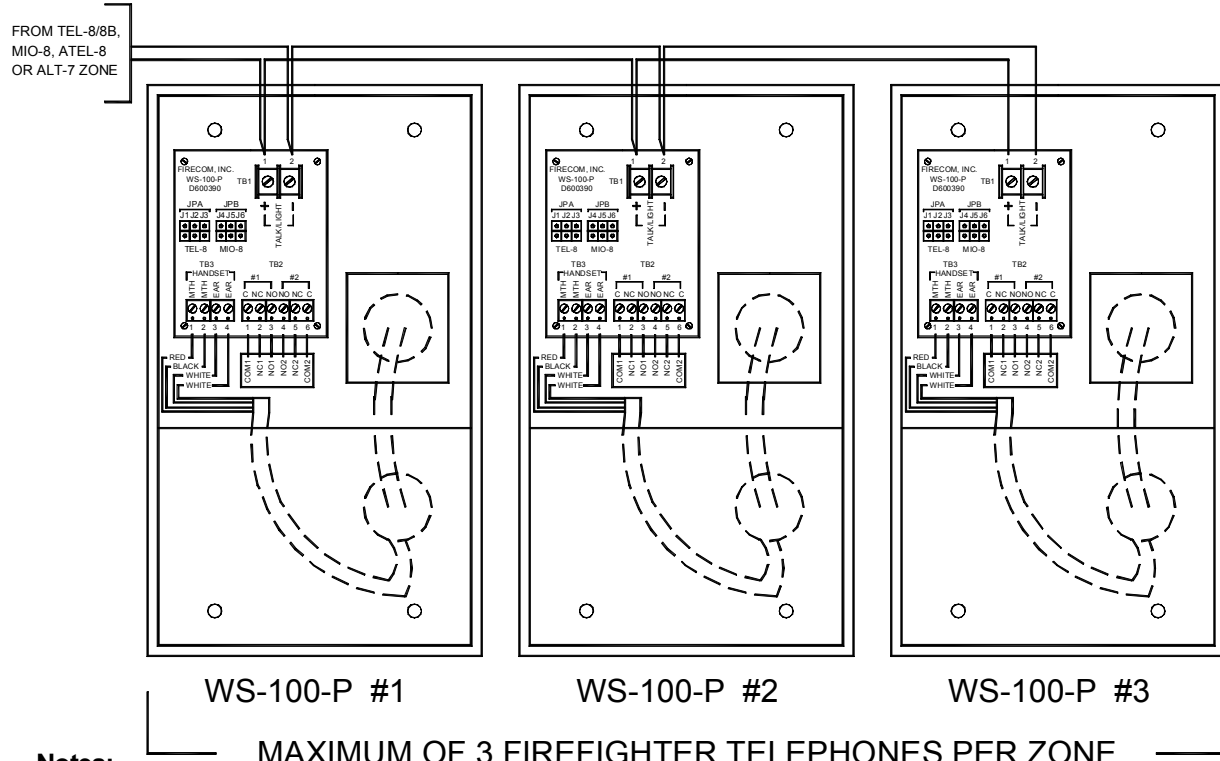


Approvals and Listings

Underwriters Laboratories (File No. S2184)
NYC MEA (MEA No. 32-95-E)



Wiring Connection



Notes:

Install jumper on one position only.

If telephone station communicates with TEL-8/8B, ATEL-8 or ALT-7:

- J1 – One Firefighter Telephone on zone
- J2 – Two Firefighter Telephones on zone.
- J3 – Three Firefighter Telephones on zone.

If telephone station communicates with MIO-8:

- J4 – One Firefighter Telephone on zone
- J5 – Two Firefighter Telephones on zone.
- J6 – Three Firefighter Telephones on zone.

Electrical Specifications

Current Draw - Supervisory	0mA
Current Draw - Call In/Active	13mA
Operating Temperature	0°C to 49°C
Oper. Relative Humidity Range	0% to 93% @ 32°C

Firefighter's Telephone Station Surface Dimensions - 14.5" H x 7.75" W x 3.5" D

Firefighter's Telephone Station Flush Dimensions - 16" H x 9.25" W x 3.5" D

Ordering Information

Model No.	Part No.	Description
WS-100-P FL	72180	Firefighter's Telephone Station Flush without Glass
WS-100-P SF	72182	Firefighter's Telephone Station Surface without Glass
WS-100-P FWG	72179	Firefighter's Telephone Station Flush with Break Glass
WS-100-P SWG	72181	Firefighter's Telephone Station Surface with Break Glass
WS-100-BB	72008	Firefighter's Telephone Station Backbox (14.5" H x 7.75" W x 3.5" D)

It is our intention to keep the product information up to date and accurate. We cannot cover all specific applications or anticipate all requirements. All specifications are subject to change without notice. For more information contact: FIRECOM, INC.

FIRECOM™, INC.
39-27 59th Street
Woodside, NY 11377
718.899.6100 TEL
718.899.1932 FAX



FIRECOMINC.COM

71920
Rev 081028
2 of 2